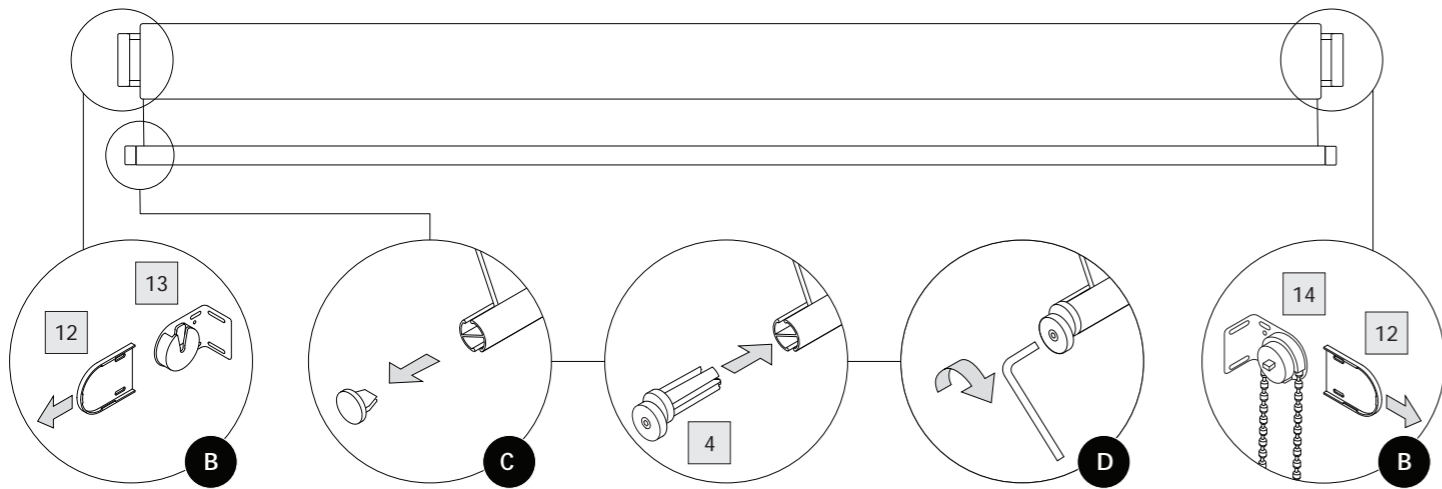
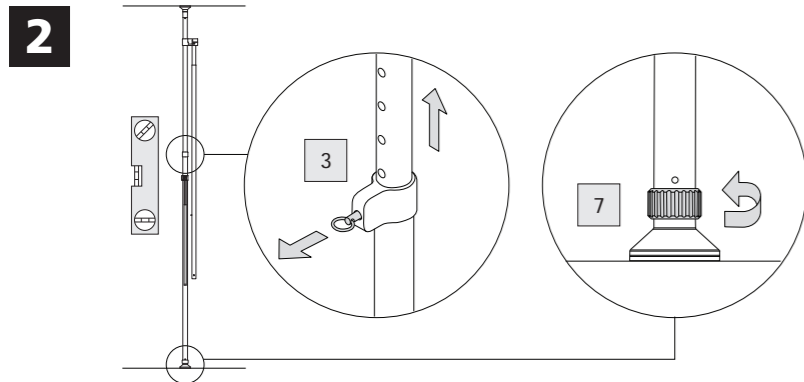


# 1 COOLFIT ROLLER BLINDS

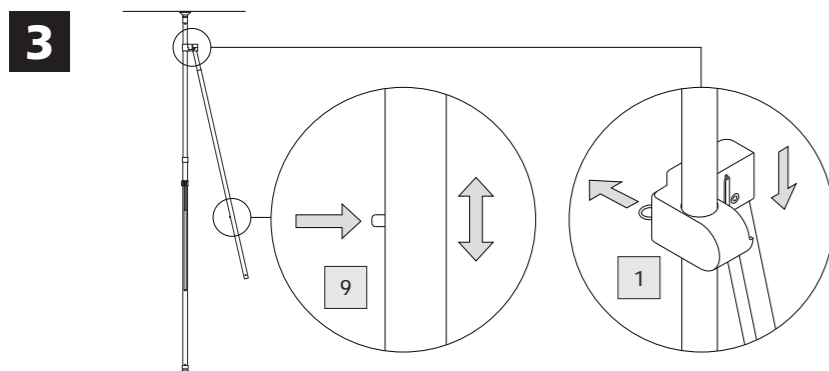
**A**  148 x 240 □ 198 x 240 □ 248 x 240 □ 296 x 240 □ 098 x 240 (tailor made, request from Nesling)



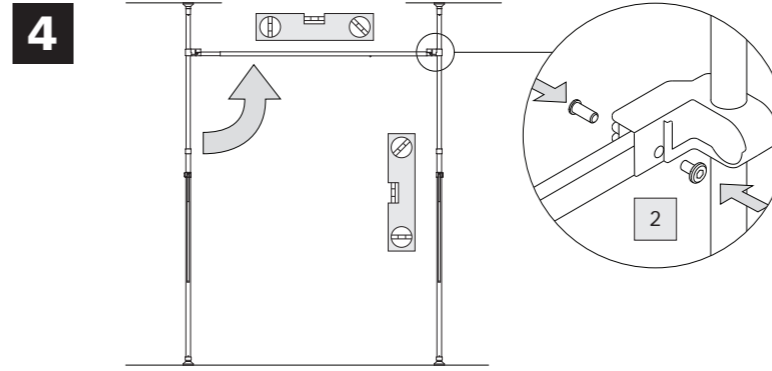
1. **A Choose roller blind size**
- B Remove covers**  
Remove the plastic covers from the Brackets by sliding them off.
- C Replace caps**  
Remove the caps from the bottom rail of your COOLFIT roller blind and replace them with the Awning Caps.
- D Tighten screws**  
Fix the Awning Caps by turning the screws clockwise with an allen wrench until fastened.




2. **Set up Pole A**
  - Adjust height**  
Pull the ring on the Height Adjuster to loosen the pin. Then adjust the height of the pole so that it fits between your balcony floor and ceiling.
  - Tighten pole**  
Make sure the pole is positioned perfectly vertical from different points of view, using a spirit level. Fix the pole completely between floor and ceiling by turning the ring on the Bottom Foot of the pole counter clockwise.



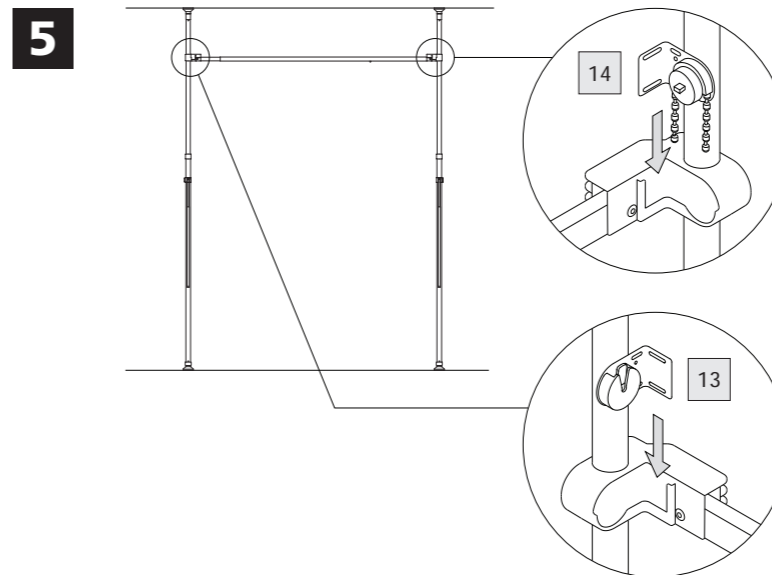
3. **Adjust Connecting Arm**
  - Adjust length**  
Push in the pin on the Connecting Arm and adjust the length, so that it corresponds with the size of your COOLFIT roller blind.
  - Adjust height**  
Pull the ring on the Clutch Holder to loosen the pin. Then lower the Clutch Holder and Connecting Arm to the desired height.



4. **Set up Pole B and Connecting Arm** 

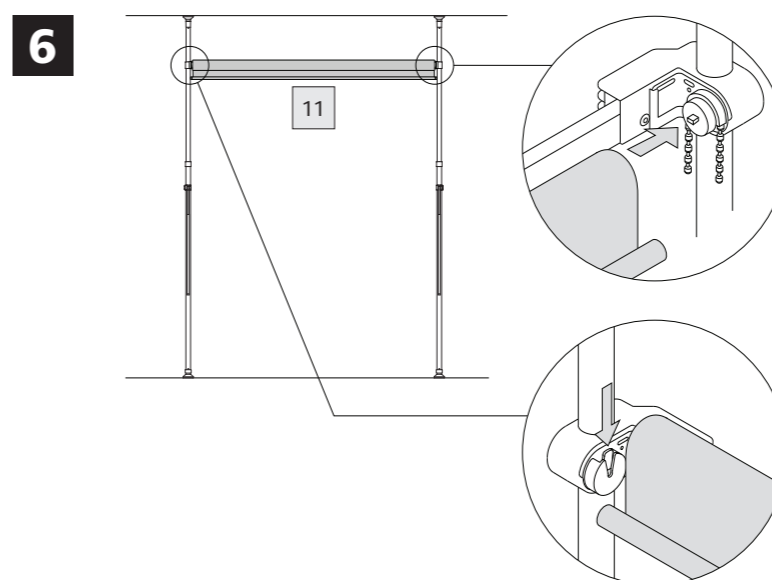
Take pole B and adjust its height as in step 2. Position the Idle End Holder at the same height as the Clutch Holder on Pole A. Turn the Connecting Arm upwards 90 degrees and place the end of the arm in the Idle End Holder to determine the position of Pole B.

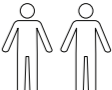
Now Tighten Pole B as in step 2, and make sure the pole is positioned perfectly vertical using a spirit level. Fixate the Connecting Arm in the Idle End Holder using the supplied nut and bolt. As a final check make sure the Connecting Arm is perfectly horizontal using a spirit level.




5. **Insert Unit Brackets**

Slide the Clutch Unit Bracket into the Clutch Holder on Pole A from the top down, until it snaps into the place. Do the same for the Idle End Unit Bracket and slide it into the Idle End Holder on Pole B.

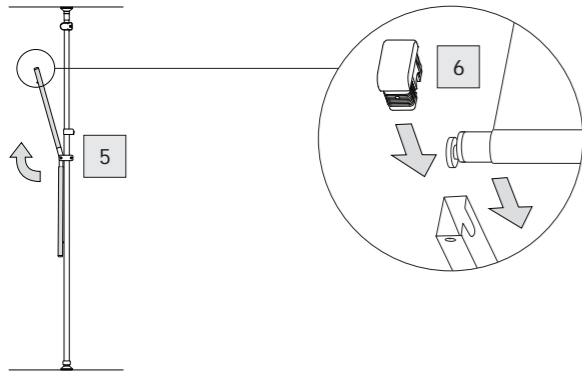


6. **Install shade** 

Position one end of the COOLFIT roller blind onto the Idle End Unit Bracket. Snap the other end of the COOLFIT roller blind into the Clutch Unit Bracket, from the top down.

 **Be aware that the roller blind can fall down**

7

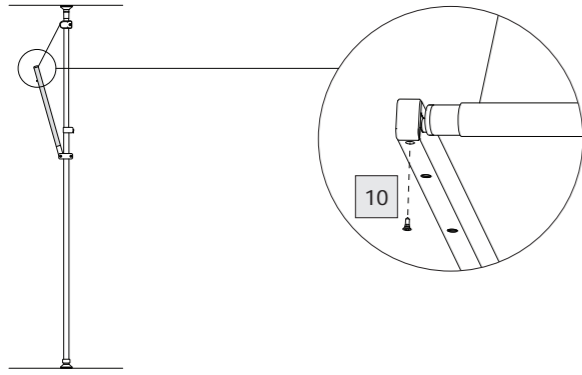


7. Lift Awning Arms up

Loose the handles on the Awning Arm Adjusters and move Awning Arms towards the roller blind.

Remove the Caps from the Awning Arms and insert the bottom rail of the COOLFIT roller blind on both sides. Then put the Caps back on the Awning Arms.

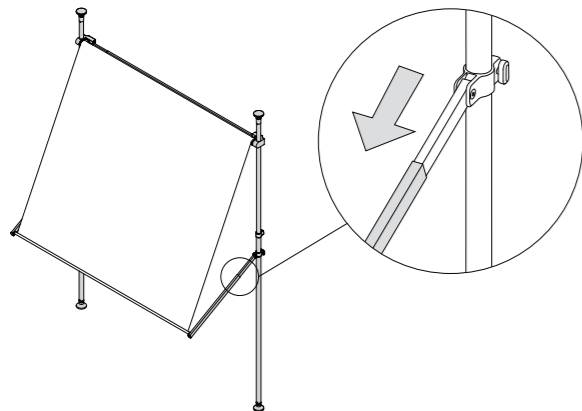
8



8. Put in screws

Secure the Awning Arms and the bottom rail with the screws.

9



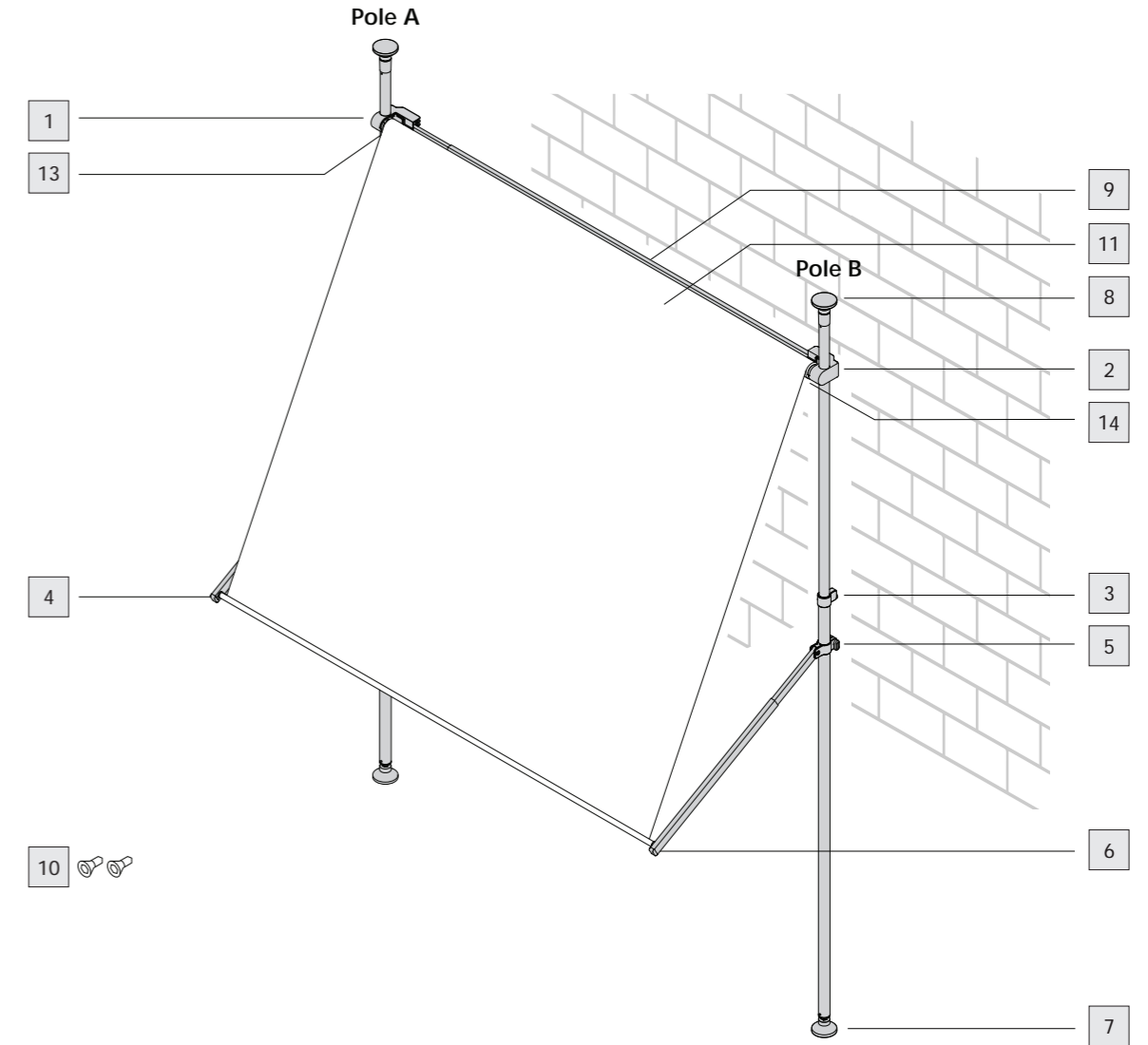
8. Adjust shade

Adjust the position of your shade by extending the Awning Arms.

**Not tested for wind. Remember to roll up the roller blind before leaving the house.**

**FLEX FRAME PARTS LIST AND INSTALLATION MANUAL**

The following is a complete listing of the parts needed to install your Nesling Flex Frame. Please inspect before beginning installation and contact us if any parts are missing. Please note that the Nesling Coolfit roller blind is not included.



REF. NO.	PART DESCRIPTION	QTY. REQUIRED
1	Clutch Holder (Pole A)	1
2	Idle End Holder (Pole B)	1
3	Height Adjuster	2
4	Awning Cap	2
5	Awning Arm Adjuster	2
6	Awning Arm Cap	2
7	Bottom Foot	2
8	Top Foot	2
9	Connecting Arm	1
10	Screws	2

COOLFIT Roller Blind (not included):

11	Roller blind	1
12	Bracket Covers	2
13	Clutch Unit Bracket	1
14	Idle End Unit Bracket	1

